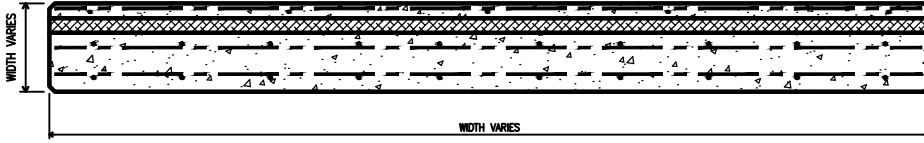
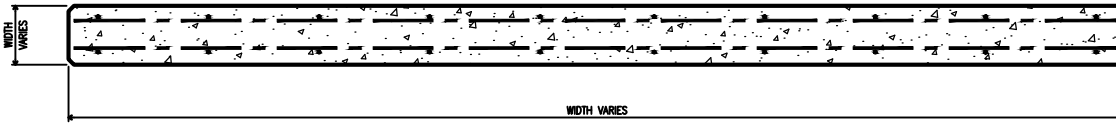


**NOTES:**  
 1A. CONCRETE  $f_c = 6,000$  psi (STRUCTURAL)  
 1B. CONCRETE  $f_c = 5,000$  psi (SKIN)  
 2. STRAND  $f_{py} = 270,000$  psi  
 3. MIN. CONCRETE STRIPPING STRENGTH = 3,000 psi  
 4. MIN. CONCRETE STRIPPING STRENGTH IN SKIN = 2,000 psi  
 5.  $\frac{1}{2}$ "  $\phi$  MAX. STRANDS PULL = 30,000 Lbs.  
 6.  $\frac{3}{8}$ "  $\phi$  MAX. STRANDS PULL = 15,000 Lbs.

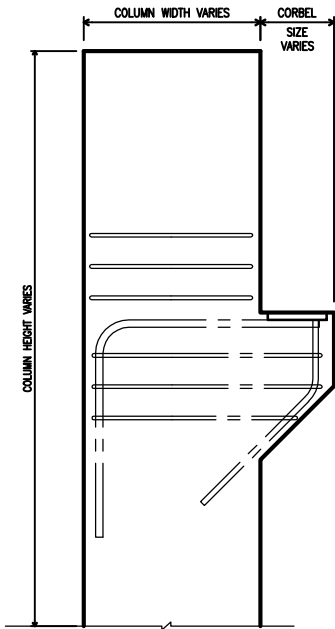


1A PRESTRESSED PANEL REINFORCEMENT / TYPICAL SECTION FOR INSULATED PANELS & HEADERS  
 SCALE: 1" = 1'-0"

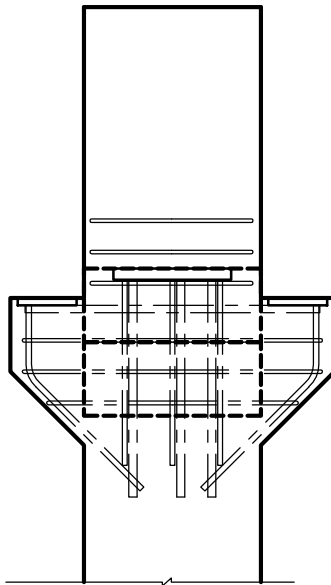
**NOTES:**  
 1. CONCRETE  $f_c = 6,000$  psi  
 2. STRAND  $f_{py} = 270,000$  psi  
 3. MIN. CONCRETE STRIPPING STRENGTH = 3,000 psi  
 4.  $\frac{1}{2}$ "  $\phi$  MAX. STRANDS PULL = 30,000 Lbs.  
 5.  $\frac{3}{8}$ "  $\phi$  MAX. STRANDS PULL = 15,000 Lbs.



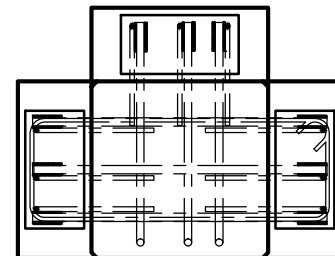
1B PRESTRESSED PANEL REINFORCEMENT / TYPICAL SECTION FOR NON-INSULATED PANELS & HEADERS  
 SCALE: 1" = 1'-0"



TYP. COLUMN WITH SINGLE CORBEL



TYP. COLUMN WITH DOUBLE CORBEL



TYP. COLUMN SECTION @ TRIPLE CORBEL

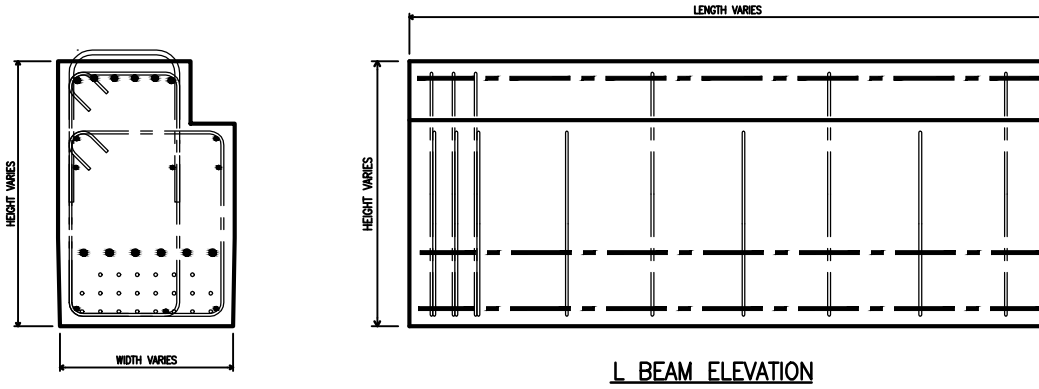
2 TYPICAL COLUMN DETAIL  
 1" = 1'-0"



OLIVEHURST, CA 95961  
 PHONE: 530-749-6501  
 FAX: 530-749-6505

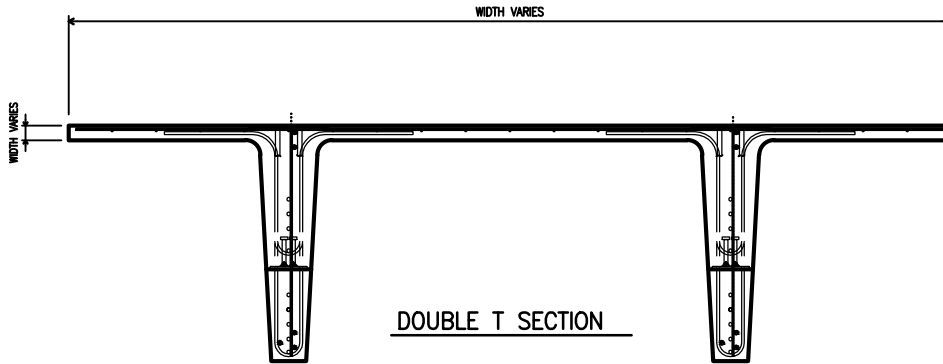
STRUCTURAL  
 DETAILS

NOTES:  
1. STRANDS NOT SHOWN FOR CLARITY.

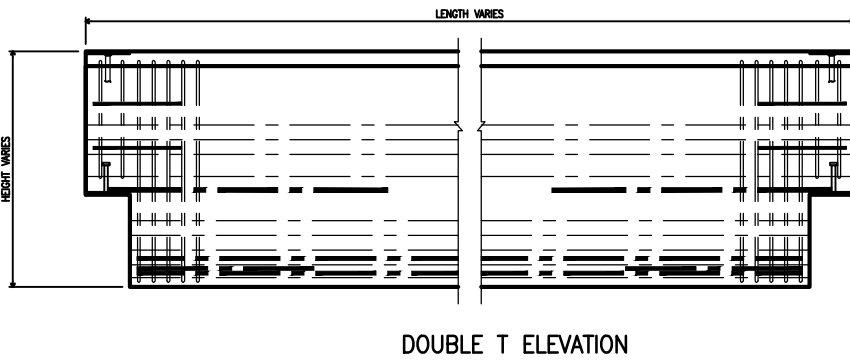


NOTES:  
1. CONCRETE  $f'c = 8,000$  psi  
2. STRAND  $f_{py} = 270,000$  psi  
3. MIN. CONCRETE STRIPPING STRENGTH = 4,000 psi  
4.  $\frac{1}{2}$ "  $\phi$  MAX. STRANDS PULL = 30,000 Lbs.

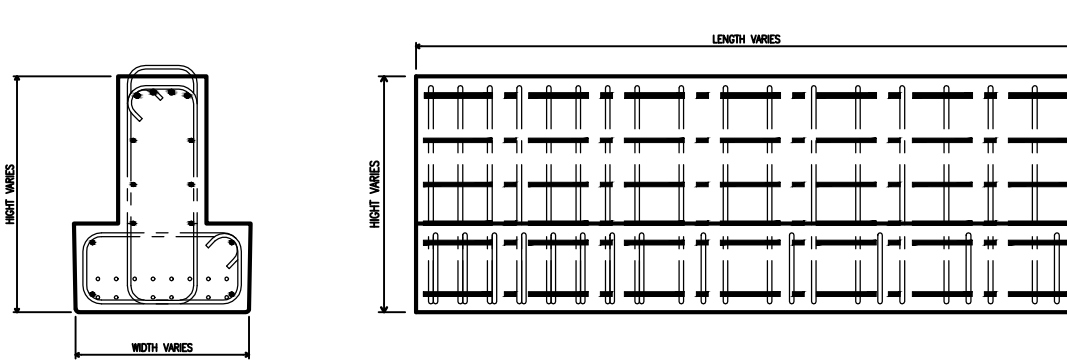
3 L BEAM REINFORCEMENT DETAIL  
SCALE: 1" = 1'-0"



NOTES:  
1. CONCRETE  $f'c = 6,000$  psi  
2. STRAND  $f_{py} = 270,000$  psi  
3. MIN. CONCRETE STRIPPING STRENGTH = 3,500 psi  
4.  $\frac{1}{2}$ "  $\phi$  MAX. STRANDS PULL = 30,000 Lbs.



4 DOUBLE-TEE REINFORCEMENT DETAIL  
SCALE: 1" = 1'-0"



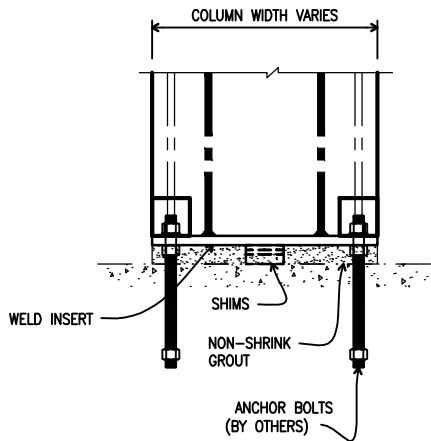
NOTES:  
1. CONCRETE  $f'c = 8,000$  psi  
2. STRAND  $f_{py} = 270,000$  psi  
3. MIN. CONCRETE STRIPPING STRENGTH = 4,000 psi  
4.  $\frac{1}{2}$ "  $\phi$  MAX. STRANDS PULL = 30,000 Lbs.

5 INVERTED-TEE BEAM REINFORCEMENT DETAIL  
SCALE: 1" = 1'-0"



OLIVEHURST, CA 95961  
PHONE: 530-749-6501  
FAX: 530-749-6505

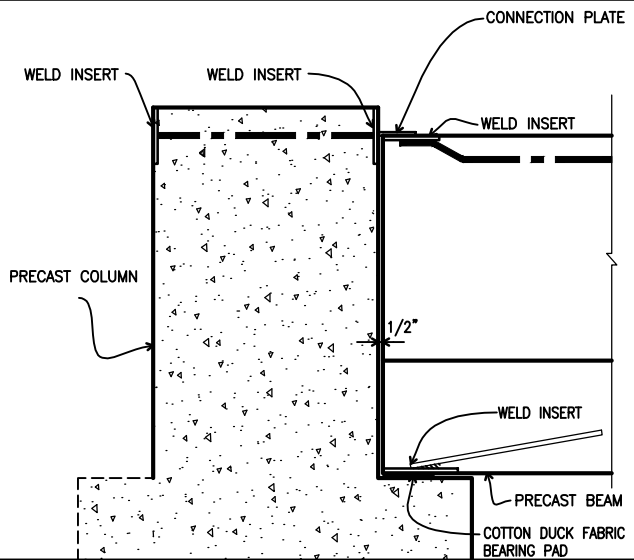
STRUCTURAL  
DETAILS



1

COLUMN TO FOUNDATION CONN. DETAIL

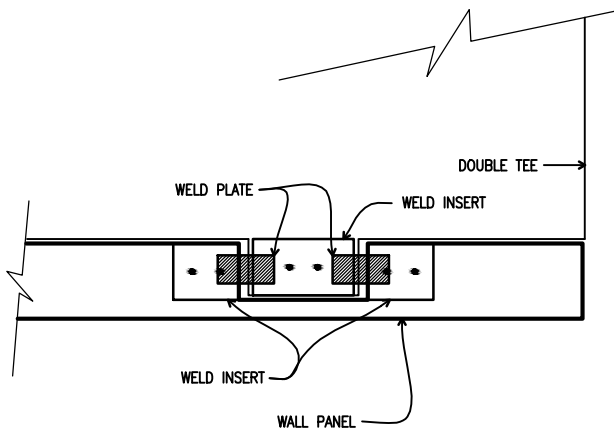
SCALE: 1" = 1'-0"



2

COLUMN TO BEAM CONN. DETAIL

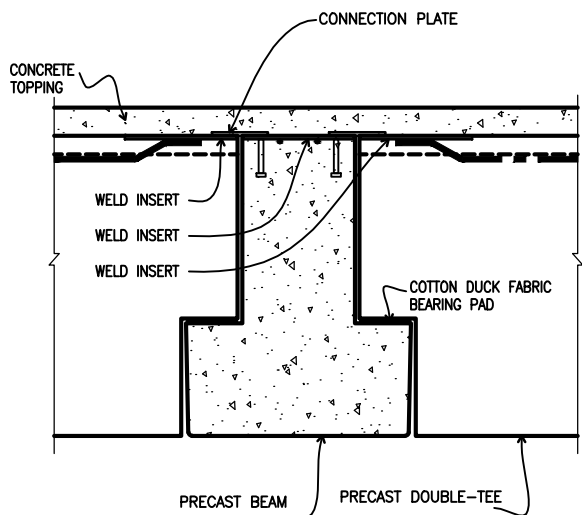
SCALE: 1" = 1'-0"



3

DOUBLE-TEE TO PANEL CONN. DETAIL

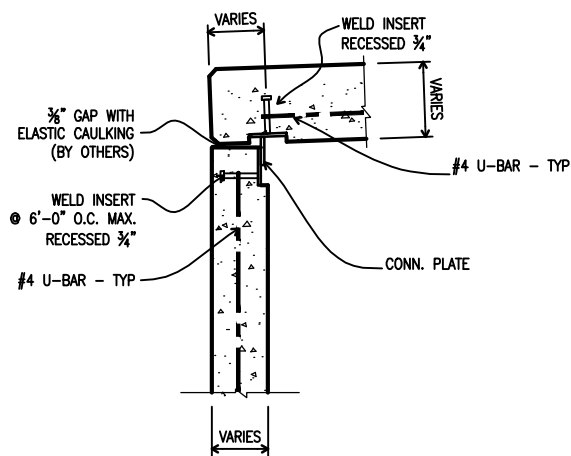
SCALE: N.T.S.



4

DOUBLE-TEE TO BEAM CONN. DETAIL

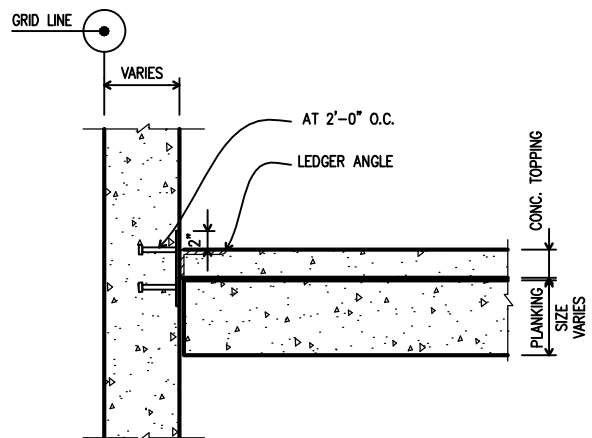
SCALE: 1" = 1'-0"



5

PANEL TO ROOF PLANKING CONN.

SCALE: 1" = 1'-0"



6

FLOOR DIAPHRAGM TO WALL CONN.

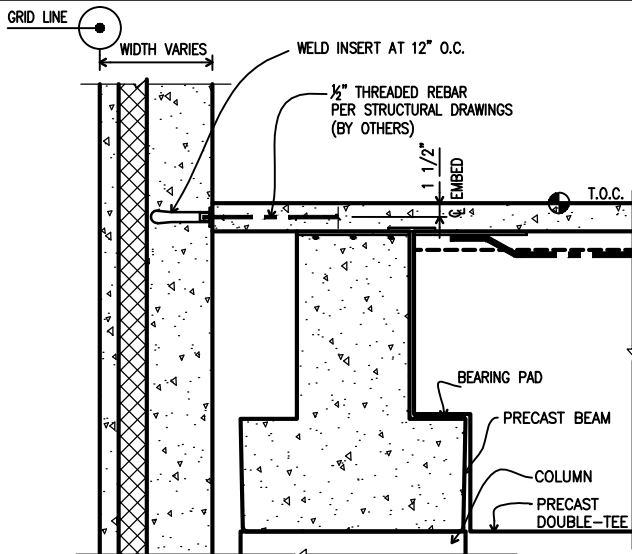
SCALE: 1" = 1'-0"



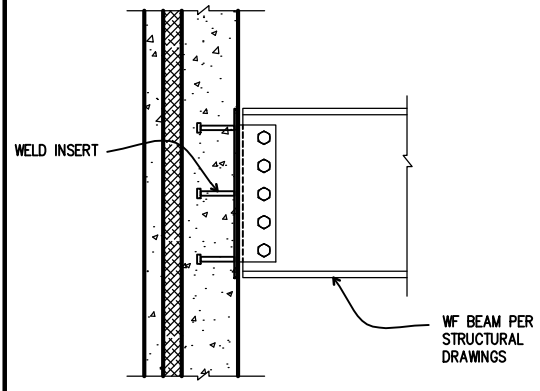
CTUPRECAST  
CONCRETE TECHNOLOGIES UNLIMITED

OLIVEHURST, CA 95961  
PHONE: 530-749-6501  
FAX: 530-749-6505

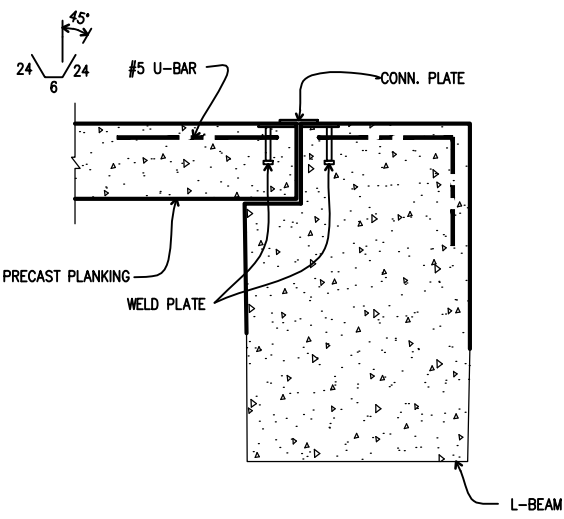
STRUCTURAL  
DETAILS



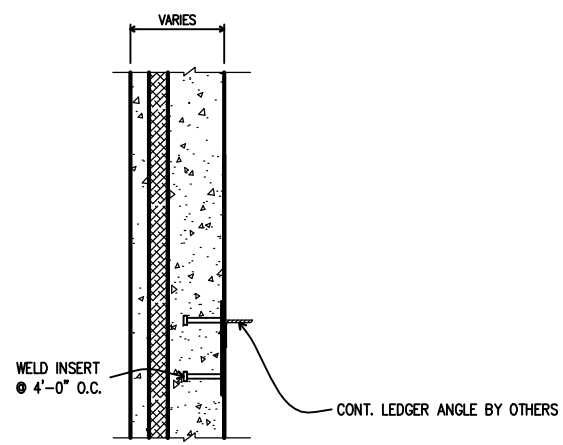
1 FLOOR DIAPHRAGM TO WALL CONN.  
SCALE: 1" = 1'-0"



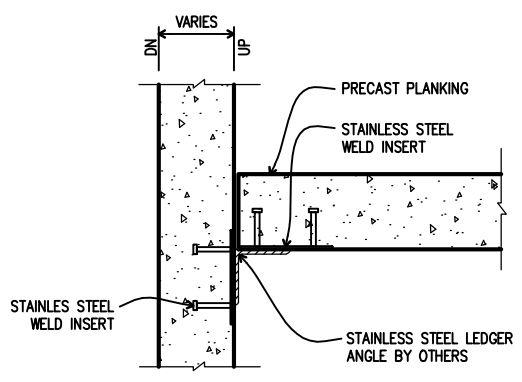
2 BEAM CONN.  
SCALE: 1" = 1'-0"



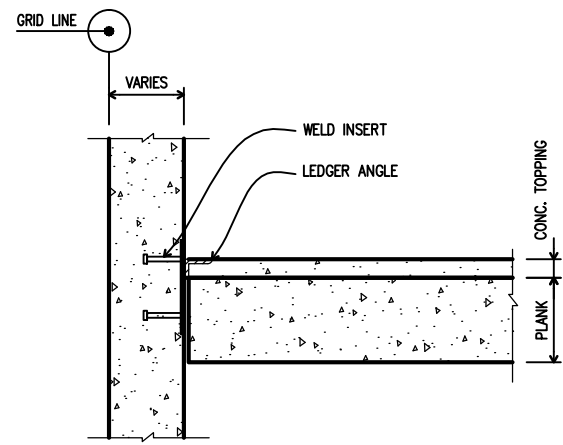
3 PLANKING TO L-BEAM CONNECTION  
SCALE: 1" = 1'-0"



4 ROOF LEDGER DETAIL  
SCALE: 1" = 1'-0"



5 INTERIOR PLANKING CONN.  
SCALE: 1" = 1'-0"



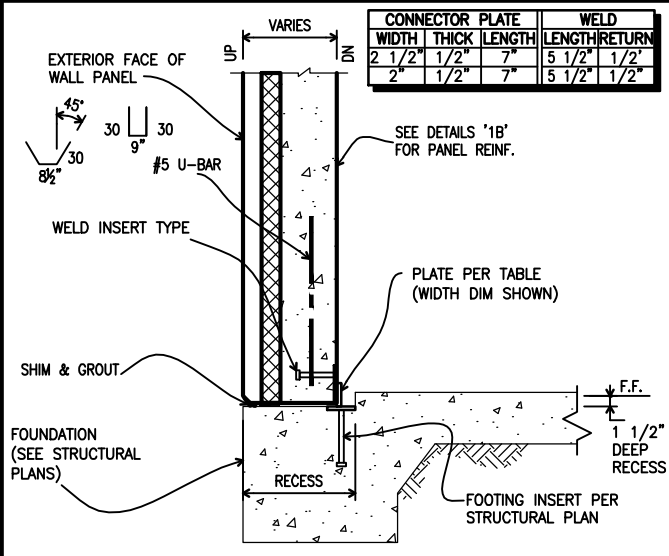
6 ROOF DIAPHRAGM TO WALL CONN.  
SCALE: 1" = 1'-0"



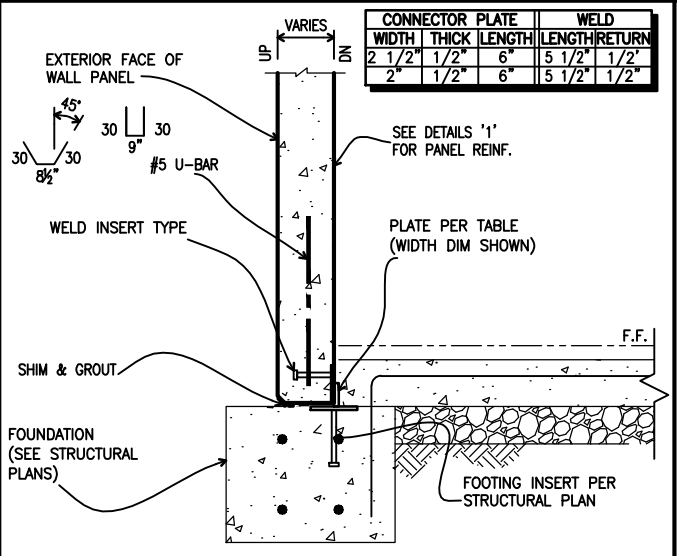
CTUPRECAST  
CONCRETE TECHNOLOGIES UNLIMITED

OLIVEHURST, CA 95961  
PHONE: 530-749-6501  
FAX: 530-749-6505

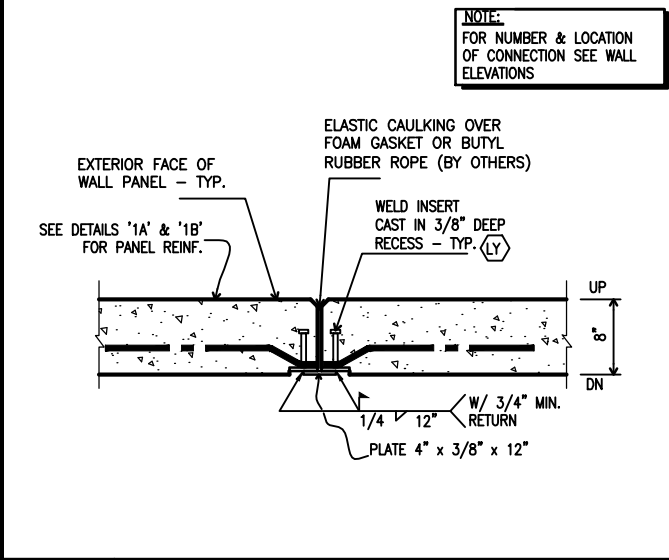
STRUCTURAL  
DETAILS



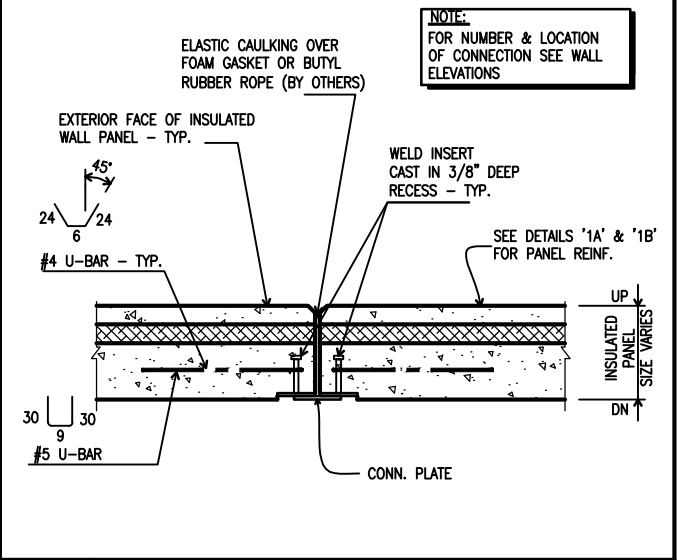
1 PANEL TO FOUND. CONN. DET.  
SCALE: 1" = 1'-0"



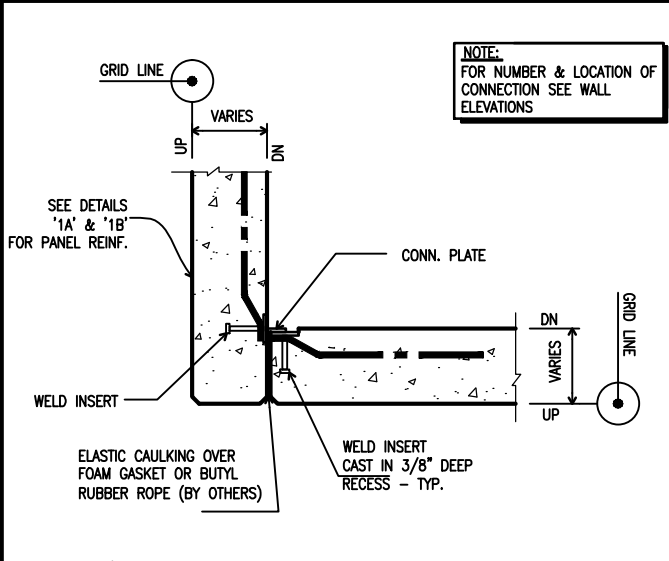
2 PANEL TO FOUND. CONN. DET.  
SCALE: 1" = 1'-0"



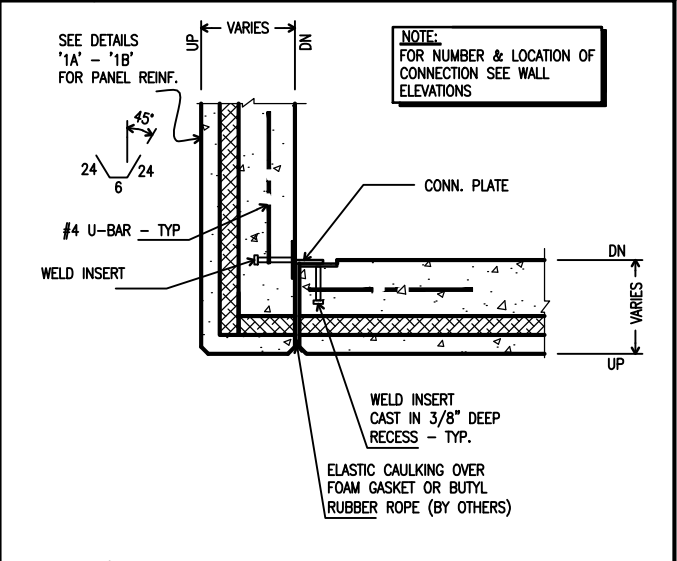
3 PANEL TO PANEL CONN. DETAIL  
SCALE: 1" = 1'-0"



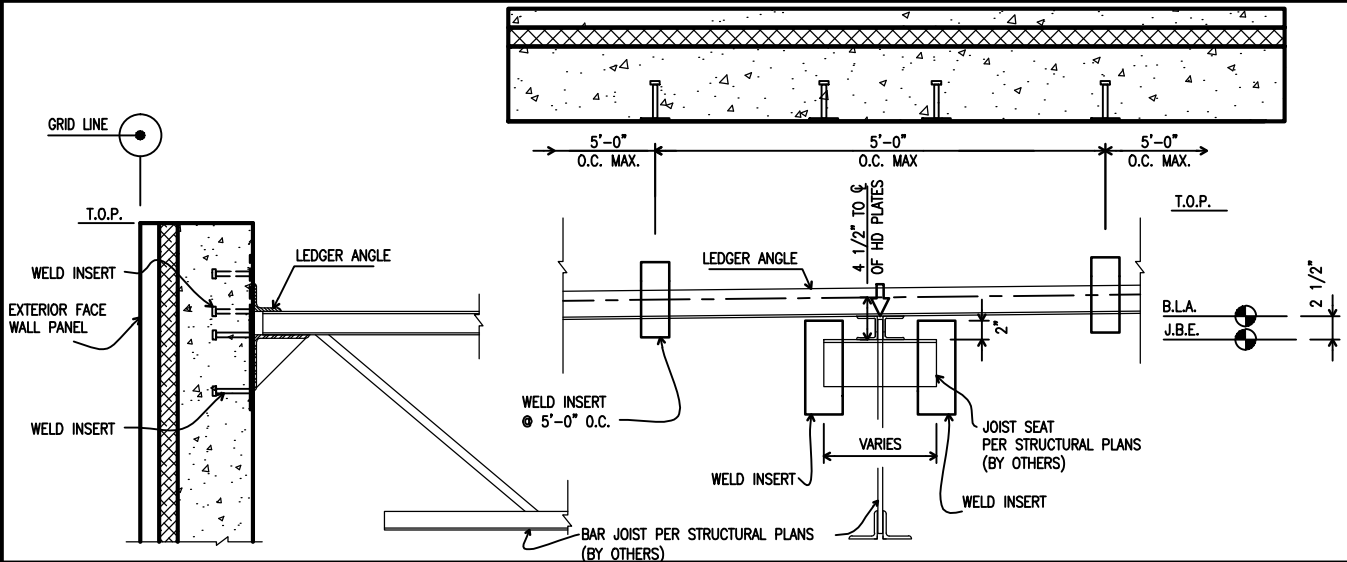
4 INSULATED PANEL TO PANEL & HEADER CONN.  
SCALE: 1" = 1'-0"



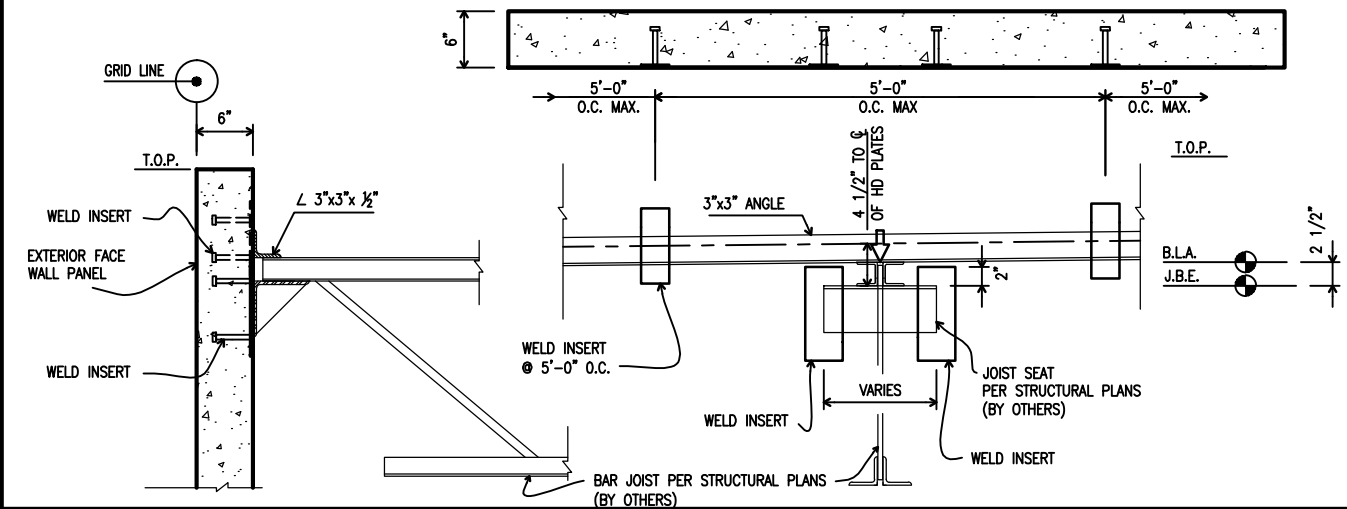
5 PANEL CORNER CONN. DETAIL  
SCALE: 1" = 1'-0"



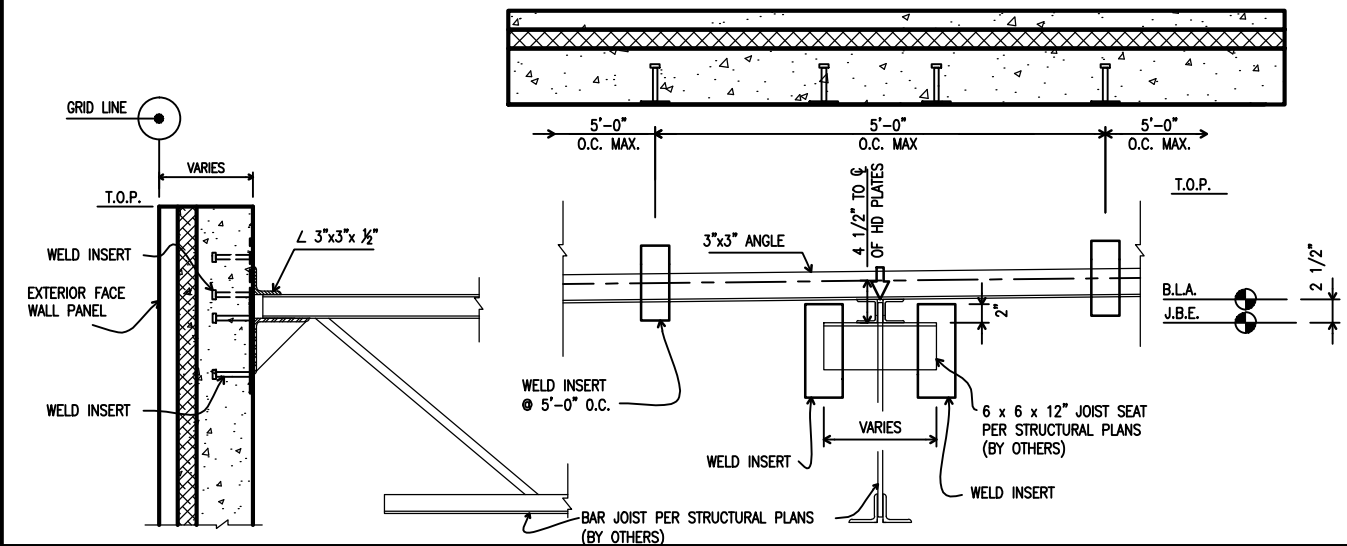
6 INSULATED PANEL CORNER CONN. DETAIL  
SCALE: 1" = 1'-0"



1 JOIST SUPPORT CONNECTION  
SCALE: 1" = 1'-0"



2 JOIST SUPPORT CONNECTION  
SCALE: 1" = 1'-0"



3 JOIST SUPPORT CONNECTION  
SCALE: 1" = 1'-0"



CTUPRECAST  
CONCRETE TECHNOLOGIES UNLIMITED

OLIVEHURST, CA 95961  
PHONE: 530-749-6501  
FAX: 530-749-6505

STRUCTURAL  
DETAILS